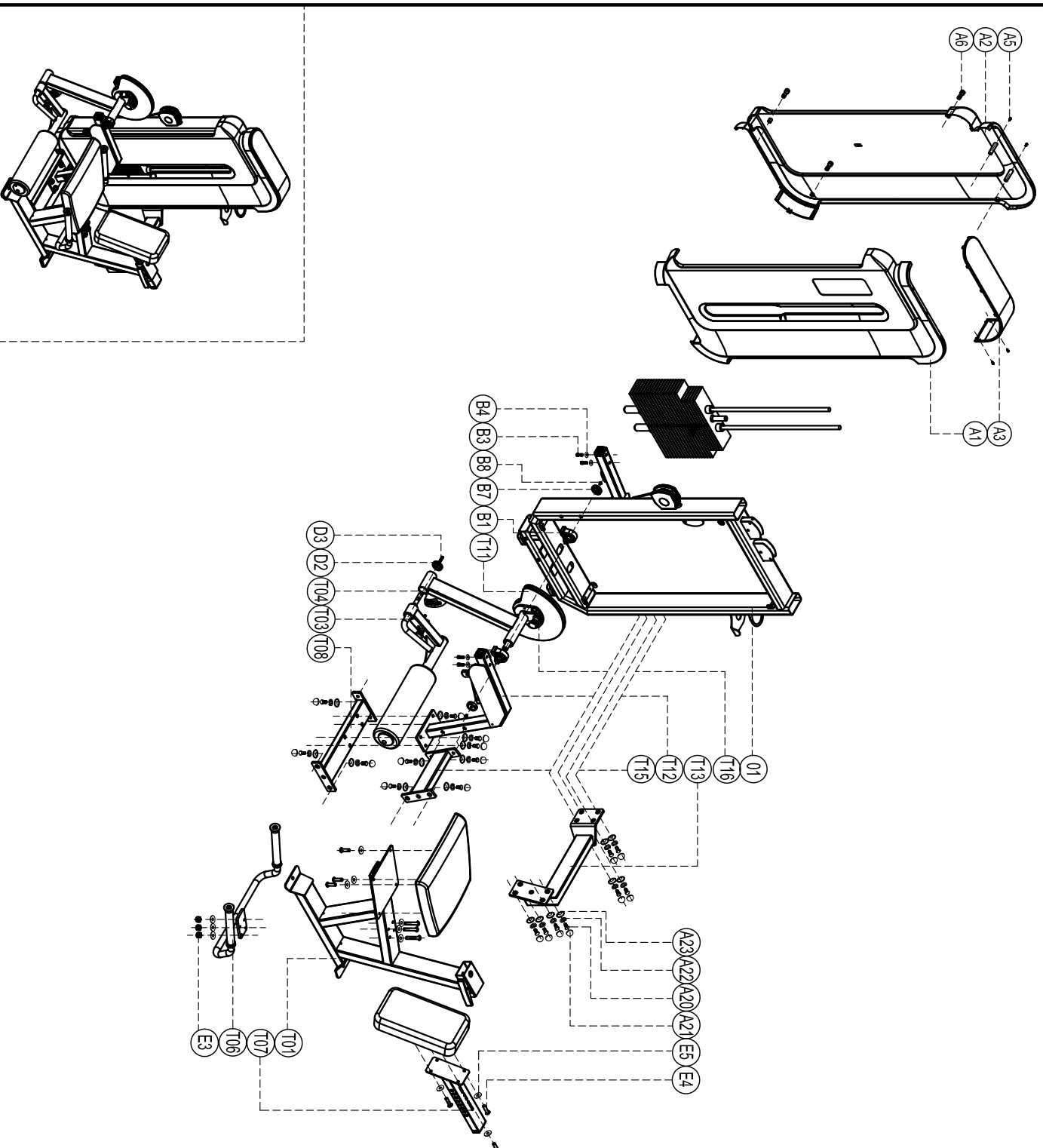


Exploded

H3002 Leg extension

please note :parts didn't demollitione part and fast eners not lisdie on the introduction



E5	Flat washer	φ8	8
E4	Cup head inner hex screw	M8*35	8
E3	Self lock nut	M10	4
E1	Cup head inner hex screw	M10*75	4
D3	Socket Cap inner hex	M8*16	1
D2	Aluminum top cover	B038	1
B8	Sink inner hex screw	M6*10	2
B7	Cover	S264	2
B4	Flat washer	φ10	12
B3	Cup head inner hex screw	M8*65	4
B1	Bearing basevent	PA205	2
A23	Gasket	I0003	20
A22	Spring washer	φ12	20
A21	Screw cap	S208	20
A20	Outside hex screw	M12*35	20
A6	Cup head inner hex screw	M5*15	8
A5	Cup head cross tapping screw	S1388	4
A3	Top cover		1
A2	Back shroud		1
A1	Front shroud		1
T16	Cam fixing set		1
T15	Horizontal connection set		1
T13	Back connection set		1
T12	Below connection		1
T08	Below connection		1
T07	Cushion adjustment		1
T06	Handle set		1
T11	Cam sets		1
T04	Movable arm set		1
T03	Leg pressing SET		1
01	Door frame		1
T01	Main frame		1
Number	Name		quantity