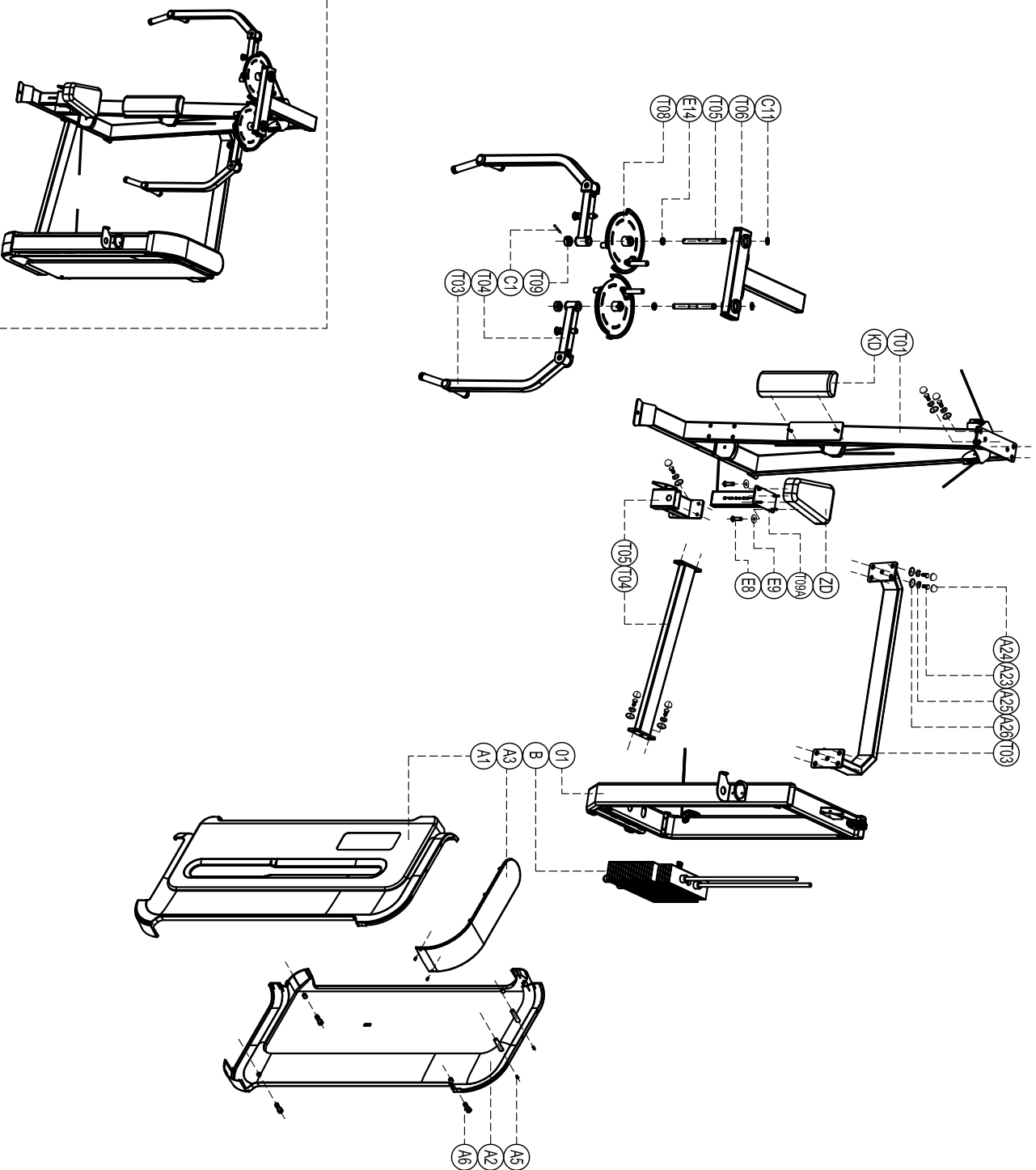


# Exploded

H3007 Pearl self/Pec fly



please note :parts didn't demollitione part and fast emers not listde on the introduction

Number	Name	quantity
E14	spacer bush G1004 ø25. 5*ø35*15	2
E9	Flat washer ø8	6
E8	Cup head inner hex screw M8*35	6
C11	round nut M2.5*1.5	2
C1	dowel pin ø8*50	6
B	weight stack set	1
A26	Gasket DQ03	20
A25	Spring washer φ 12	20
A24	Screw cap S208	20
A23	Outer hex screw M12*35	20
A6	Cup head inner hex screw M5*15	8
A5	Cup head cross tapping screw S13*8	4
A3	Top cover	1
A2	Back shroud	1
A1	Front shroud	1
ZD	Upholstery	1
KD	Backrest	1
T09	Cam fixing ring	2
T05	Cam Axle	2
T04	upper move arm	2
T03	movable arm set	2
T09A	cushion adjustment	1
T08	cam	2
T06	Cam fixing set	1
T05	Upholstery set	1
T04	Bottom connector	1
T03	Top connector	1
01	Door frame	1
T01	Main frame	1