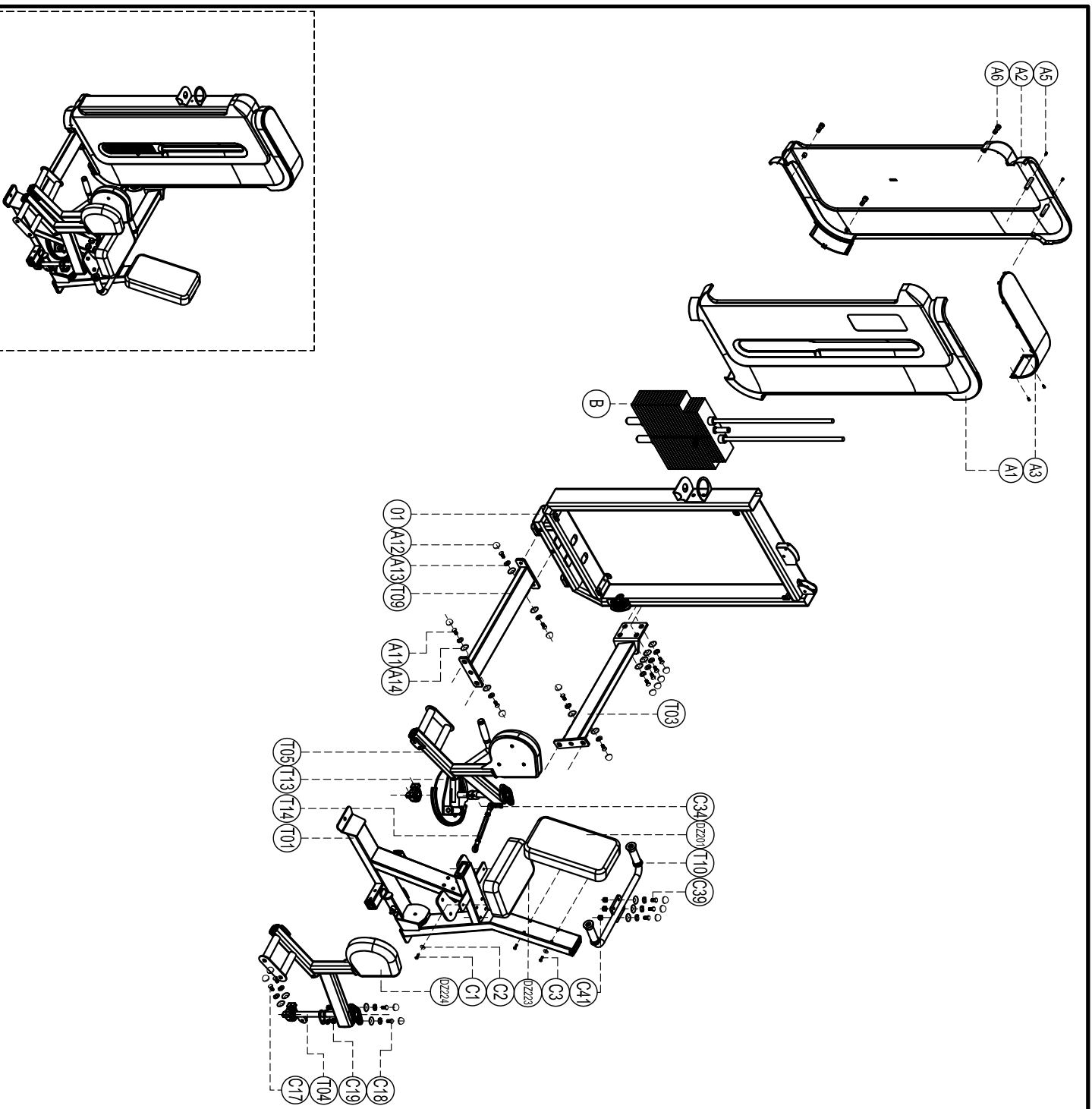


Exploded

H3022 Adductor

please note : parts didn't demollitione part and fasteners not listde on the introduction



Number	Name	quantity
C41	M10 self Lock nut	4
C39	Outer hex screw M12*75	4
C34	Shoulder screw 60*80	2
C19	M12 self Lock nut	4
C18	Outer hex screw M12*40	4
C17	Outer hex screw M10*65	4
C3	Cup head inner hex screw M8*80	4
C2	Flat washer 68	12
C1	Cup head inner hex screw M8*35	8
B	weight stack set	1
A14	Gasket D3003	10
A13	Spring washer φ12	10
A12	Screw cap S208	18
A11	Outer hex screw M12*35	10
A6	Cup head inner hex screw M5*15	8
A5	Cup head cross tapping screw S13*88	4
A3	Top cover	1
A2	Back shroud	1
A1	Front shroud	1
DZ223	Leg pressing SET DZ223	2
DZ224	Upholstery DZ224	1
DZ201	Backrest DZ201	1
T14	Connector	1
T13	Cam sets	1
T10	Handle set	1
T09	Below connection	1
T05	Rotary support sets	1
T04	Rotary support sets	1
T03	Back connection set	1
01	Door Frame	1
T01	Main Frame	1